

CASH[®] Cowpuncher

Original Instruction Manual



©2017 Accles & Shelvoke Ltd



**DO NOT ATTEMPT TO USE THESE STUNNING TOOLS UNTIL
YOU HAVE READ AND UNDERSTOOD THE USER MANUAL**

SECTION	DESCRIPTION	PAGES
	CONTENTS	2
1	PRODUCT DESCRIPTION	3
2	PRODUCT SPECIFICATION	4
3	PRODUCT DIAGRAMS	5
4	ANIMAL WELFARE	8
5	EFFECTIVE STUNNING & CARTRIDGE SELECTION	9
6	GENERAL SAFETY PRECAUTIONS	16
7	SAFE OPERATING INSTRUCTIONS	20
8	CLEANING & GENERAL MAINTENANCE	25
9	TROUBLESHOOTING	27
10	SERVICING	29
11	SPARE PARTS LIST AND DIAGRAM	30
12	CONTACT DETAILS, WARRANTY AND RECYCLING	31
	DECLARATION OF CONFORMITY CERTIFICATE	32

DISCLAIMER

This instruction manual is correct at the time of printing. However, because our policy is one of constant development and improvement, details and images may vary slightly from those provided in this publication.

© Copyright of Accles & Shelvoke Ltd 2017 - All rights reserved

Accles & Shelvoke”, “CASH”, and “CASH Cowpuncher” are all trademarks of Accles & Shelvoke Ltd

ONLY EVER USE GENUINE ACCLES & SHELVOKE REPLACEMENT PARTS. NOT USING GENUINE PARTS MAY LEAD TO PREMATURE COMPONENT AND TOOL FAILURE, WHICH COULD ENDANGER THE OPERATOR AND THOSE IN THE IMMEDIATE VICINITY. IT WILL ALSO INVALIDATE OUR ORIGINAL EQUIPMENT WARRANTY.

ACCLES & SHELVOKE WILL ACCEPT NO LIABILITY IF ANY COMPONENTS OTHER THAN THOSE SUPPLIED BY ACCLES & SHELVOKE ARE USED WITH OUR ORIGINAL EQUIPMENT. THE RESULTANT LIABILITY WILL BE WITH THE END USER OR THE DISTRIBUTOR WHO SUPPLIED THE UNAPPROVED REPLACEMENT PARTS.

The CASH Cowpuncher range of stunners are cartridge powered, contact firing, cylindrical style penetrative tools with automatic bolt return. They are available in both .22” and .25” calibre and can be used to stun cattle, pigs and other large animals. These tools are intended for professional use.

PRODUCT	PRODUCT CODE	PRODUCT DESCRIPTION	CALIBRE	MAXIMUM PERMITTED CARTRIDGE
CASH Cowpuncher	5413R	CASH Cowpuncher .22R	0.22R	4.5 GRAIN (.22 BLACK)
	5414	CASH Cowpuncher .25	0.25	4.5 GRAIN (.25 GREEN)
	5414R	CASH Cowpuncher .25R	0.25R	4.5 GRAIN (.25 GREEN)
	5430	CASH Cowpuncher .22R LH	0.22R	4.5 GRAIN (.22 BLACK)
	5432	CASH Cowpuncher .25 LH	0.25	4.5 GRAIN (.25 GREEN)
	5432R	CASH Cowpuncher .25R LH	0.25R	4.5 GRAIN (.25 GREEN)

The CASH Cowpuncher range of stunning tools are penetrative captive bolt devices which cause severe and irreversible damage to the brain. These tools are designed to stun all designated animals prior to slaughter or depopulation. They can be used in accordance with EU Council Regulation (EC) number 1099/2009 On the Protection of Animals at the Time of Killing.

The Cowpuncher range of tools are contact firing. This means that when the tool is in the cocked position and ready to fire, and the muzzle/barrel is depressed, the tool will fire and the bolt will exit the tool at a very rapid velocity.

The CASH Cowpuncher range of stunners have been on the market for many years, and in that time have earned a reputation for being a reliable and effective tool. Long handled Cowpuncher stunning tools (5430, 5432, 5432R) are suitable for use with long horned animals, this makes the stunning process safer as it gives the operator a longer reach with the tool and lowers the risk of potential injury from the horns of the animal. They may also be used when animals are down in the stun box.

To ensure the safety of the operator, and quality of products, all Accles & Shelvoke stunning tools are proof tested in accordance with the Rules of Proof 2006. We have several ‘assistant proof masters’ who are accredited by the British Proof House (formerly the Birmingham Proof House, www.gunproof.com). We work to standards set by the Commission Internationale Permanente pour l’Epreuve des Armes à Feu Portatives (CIP). All stunning tools are “Proofed” prior to the stunners being released to customers. Proofed components are stamped with the mark of the British Proof House, so that users can be assured of the quality and safety of the product.

ATTRIBUTE	STUNNER MODEL NUMBER					
	5413R	5414	5414R	5430	5432	5432R
Length (mm)	265	265	265	835	835	835
Width (mm) (At Widest Point)	60	60	60	60	60	60
Weight (kg) *	2.8kg	2.8kg	2.8kg	4.1kg	4.1kg	4.1kg
'A' weighted Sound Pressure Level at workstation (dB)	86	86	86	86	86	86
'A' weighted Sound Power Level (dB)	80	80	80	80	80	80
'C' weighted Peak emissions (dB)	120	120	120	120	120	120
Calibre	.22R	0.25	0.25R	.22R	.25	.25R
Chamber	Reduced	Straight	Reduced	Reduced	Straight	Reduced

* Rounded to 1 decimal place.

Sound values determined according to EN 15895 using EN ISO 3744, using the maximum rated cartridge for a given tool. Tests conducted using simulated load (paper sheets and plasticine).

The A-weighted sound pressure level and A-weighted sound power level have been calculated - and are hence valid - at the maximum number of driving processes in one second.

The maximum number of driving processes in the CASH Cowpuncher tool is one per second. This applies to all of the tools in the range included in this instruction manual.

Information about vibrations

EN15895 states - for cartridge operated hand tools, the vibration total value to which the hand-arm system is subjected does not exceed 2.5m/s². The generated mechanical recoil that is transmitted into the hand and arm of the operator is not considered to be a vibration.



CASH COWPUNCHER

Fig. 3.01



NEVER POINT THE MUZZLE END OF THE STUNNING TOOL AT YOURSELF OR ANY OTHER PERSON



THE MAXIMUM GRAINS (GRN) AND SERIAL NUMBER OF THE TOOL CAN BE FOUND ENGRAVED ON THE BARREL

BREECH

FIRING PIN

CARTRIDGE CHAMBER

CAP

BARREL

MUZZLE

BOLT

DANGER ZONE!

Assuming recuperator sleeves and washers have been mistakenly omitted from the tool

118mm

POLEAXE END (OF BOLT)

Re-sharpen by re-coning using a countersink tool

©2016 Accles & Shelvoke



NEVER USE A MORE POWERFUL CARTRIDGE THAN THE MAXIMUM PERMITTED CARTRIDGE AS STAMPED ON YOUR STUNNING TOOL



DO NOT GRIND THE OUTSIDE DIAMETER OF THE BOLT!

CUT-AWAY SECTION MODEL SHOWING BOLT FULLY RETRACTED

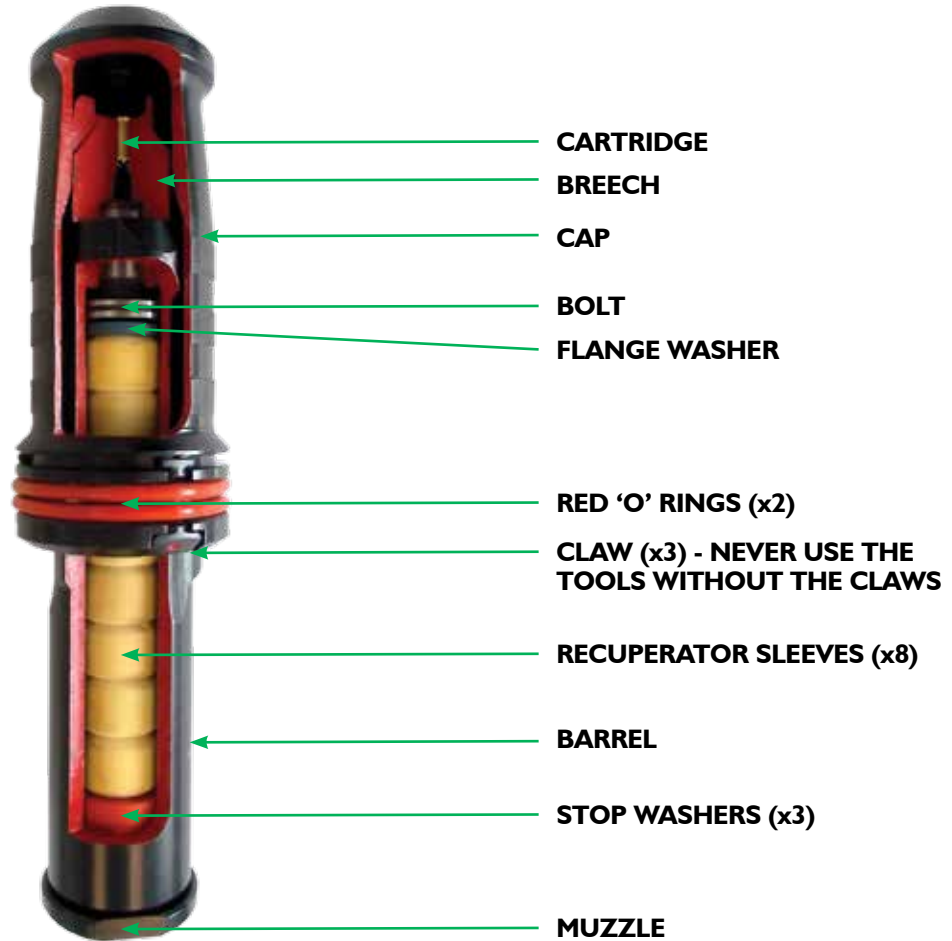


Fig. 3.02

©2016 Accles & Shelvok

**DIAGRAM - SHOWING CAP AND BARREL SPLIT
 - SHOWING LOBES ON BARREL**



Fig. 3.03

©2016 Accles & Shelvok

**DIAGRAM SHOWING TOOL IN COCKED
AND READY TO FIRE POSITION**

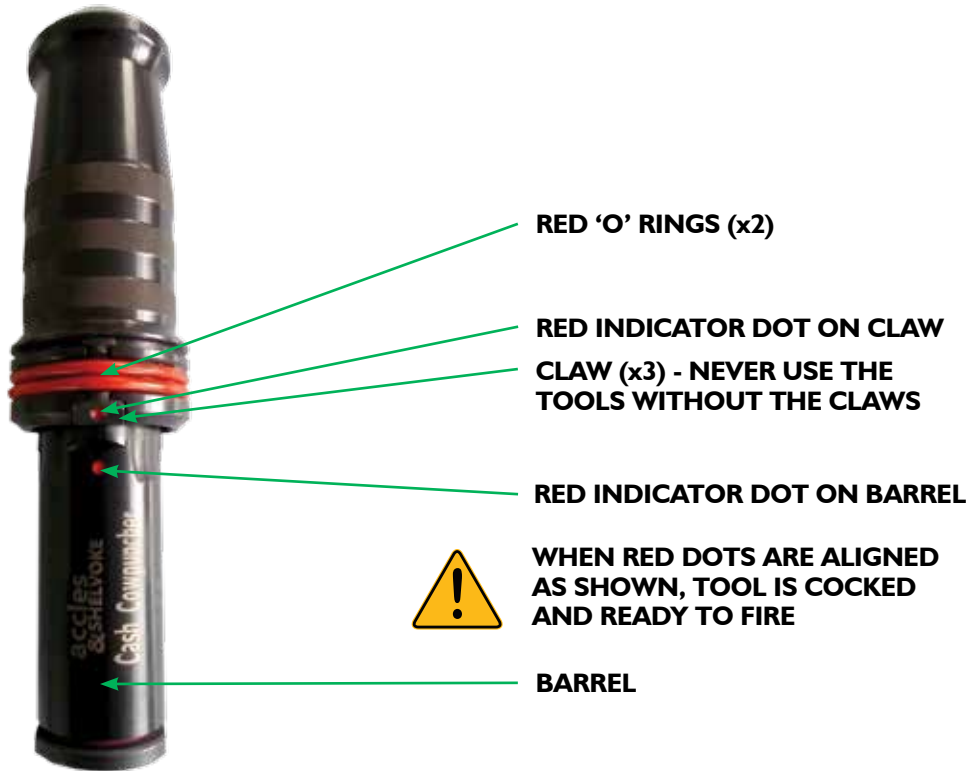


Fig. 3.04

©2016 Accles & Shelvoke

DIAGRAM - INSIDE CAP SHOWING PHOSPHOR BRONZE BALLS

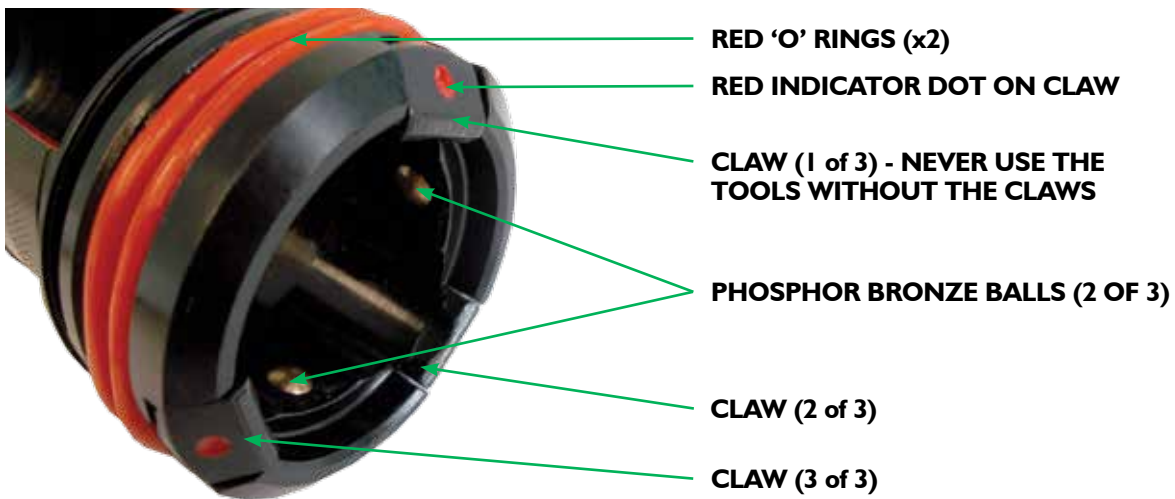


Fig. 3.05

©2016 Accles & Shelvoke

Improving the protection of animals at the time of slaughter contributes to higher meat quality.

EU Only - in accordance with EU Council Regulation (EC) Number 1099/2009 on the protection of animals at the time of killing, animals must be spared any avoidable pain, distress or suffering during their killing and related operations.

Business operators shall in particular take the necessary measures to ensure that animals:

- (a) Are provided with physical comfort and protection, in particular by being kept clean, in adequate thermal conditions and prevented from falling or slipping;
- (b) Are protected from injury;
- (c) Are handled and housed taking into consideration their normal behaviour;
- (d) Do not show signs of avoidable pain or fear or exhibit abnormal behaviour;
- (e) Do not suffer from prolonged withdrawal of feed or water;
- (f) Are prevented from avoidable interaction with other animals that could harm their welfare.

In addition:

- ▶ Introduce the animal into the stun box only when the operator is ready to stun it;
- ▶ Avoid excessive light and noise at the stun box to keep animal stress to a minimum;
- ▶ The operator should not have to concentrate on keeping his balance, or have to bend excessively each time he stuns an animal, as this becomes tiring and can lead to inaccurate stunning. Stun box and race design is therefore of utmost importance for both animal welfare and the operator's health and safety;
- ▶ The efficiency of each stunner is essential to ensuring an effective stun. Ensure cleaning and maintenance schedules detailed within this Instruction Manual are adhered to;
- ▶ Ensure at least 2 stunning tools are present near the stun box. If one stunner breaks down in use, then there must be a working second tool available, to ensure there is always a means of administering an effective stun to the target animal.

NOTE - we always advise you refer to any local regulations in force.

CASH® Cowpuncher

EFFECTIVE STUNNING AND CARTRIDGE SELECTION

This section provides a guide to the correct stunning position and direction for certain animals, and helps you to select the correct cartridge for that animal.

The cartridge selection information provided within this section of this instruction manual is not categorical and is hence supplied as guidance only.

GOOD PRACTISE

- ▶ Understand animal welfare - refer to the Animal Welfare section for further guidance
- ▶ Always ensure your stunning tool is in good working order
- ▶ Stunning tools should be cleaned and maintained in accordance with the instructions within this manual
- ▶ Ensure at least 2 stunning tools are present near the stun box
- ▶ Stunning tools will require more maintenance if used with cartridges that are more powerful than is necessary for the target animal

EFFECTIVE STUNNING

The cartridge selection and the blow being applied to the correct part of the skull and in the right direction is important in ensuring an effective stun. Refer to the diagrams and selection charts within this section as guidance towards selection. To obtain maximum effect, the muzzle of the tool must be struck accurately on the target animals head.

The physical signs of an effective stun are:

Quadrupeds

- ▶ Animal collapses
- ▶ No rhythmic breathing
- ▶ Fixed, glazed expression in the eyes
- ▶ No corneal reflex
- ▶ Relaxed jaw
- ▶ Tongue hanging loose

THE EFFECTIVENESS OF THE STUN MUST BE VERIFIED BEFORE THE ANIMAL IS SLAUGHTERED.

FAILURE TO STUN

If an animal is not properly stunned it must be re-stunned immediately. Using the second or an alternative stunning tool, a repeat shot must always be placed so as to avoid the immediate area of the first shot.

STUN-TO-STICK TIMES

The humane killing of livestock using captive-bolt equipment is a two-stage procedure. After the animal has been stunned, it must be bled (or pithed*) immediately to ensure rapid death.

The stun-to-stick interval is the time from the application of stunning equipment to the start of bleeding. After stunning, sticking should be conducted without delay with a maximum stun-to-stick interval of 15 seconds recommended for all species in the field. In the abattoir, all pigs, sheep and goats should also be stuck within 15 seconds. However, on the majority of cattle lines, where the carcass must be hoisted to a bleed area, maximum stun-to-stick intervals of 60 seconds for the penetrative captive-bolt are acceptable. (These figures are obtained from the Humane Slaughter Association (HSA) website).

* Dependant upon localised regulations in force.

CASH® Cowpuncher EFFECTIVE STUNNING AND CARTRIDGE SELECTION

CORRECT STUNNING POSITION

CATTLE

Positioning imagery courtesy of J.K. Shearer, Iowa State University.

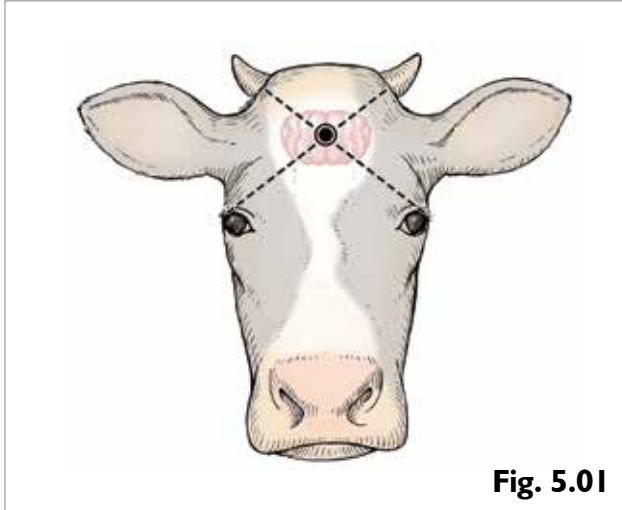


Fig. 5.01

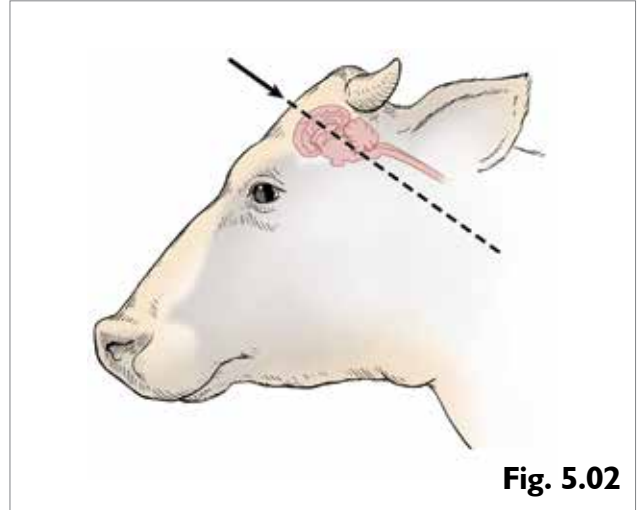


Fig. 5.02

SUGGESTED TOOLS AND CARTRIDGES

	.22" RANGE		.25" RANGE			
	CASH COWPUNCHER .22R (5413R)	CASH COWPUNCHER .22R LH (5430)	CASH COWPUNCHER .25 (5414)	CASH COWPUNCHER .25R (5414R)	CASH COWPUNCHER .25 LH (5432)	CASH COWPUNCHER .25R LH (5432R)
CALVES	N/S	N/S	N/S	N/S	N/S	N/S
LIGHT ANIMALS	PURPLE	PURPLE	YELLOW	YELLOW	YELLOW	YELLOW
MEDIUM ANIMALS	GREEN	GREEN	BLUE	BLUE	BLUE	BLUE
HEAVY ANIMALS & BULLS	RED	RED	ORANGE	ORANGE	ORANGE	ORANGE
VERY HEAVY ANIMALS	BLACK	BLACK	BLACK	BLACK	BLACK	BLACK
EXTREMELY HEAVY ANIMALS	N/S	N/S	GREEN	GREEN	GREEN	GREEN

N/S - NOT SUITABLE FOR DENOTED ANIMAL SIZE

CORRECT STUNNING POSITION

PIGS

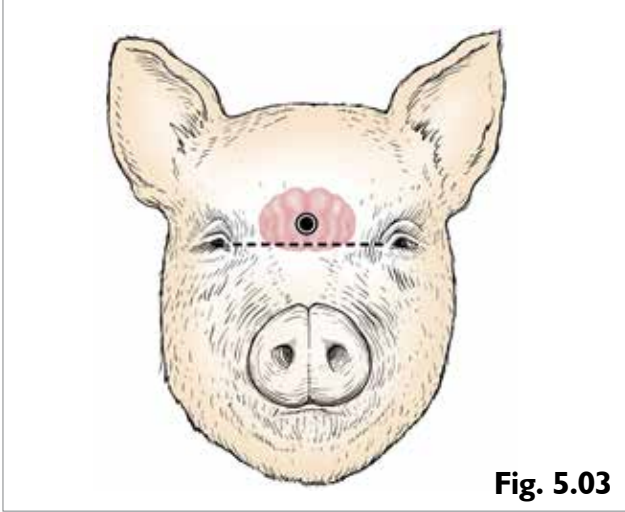


Fig. 5.03

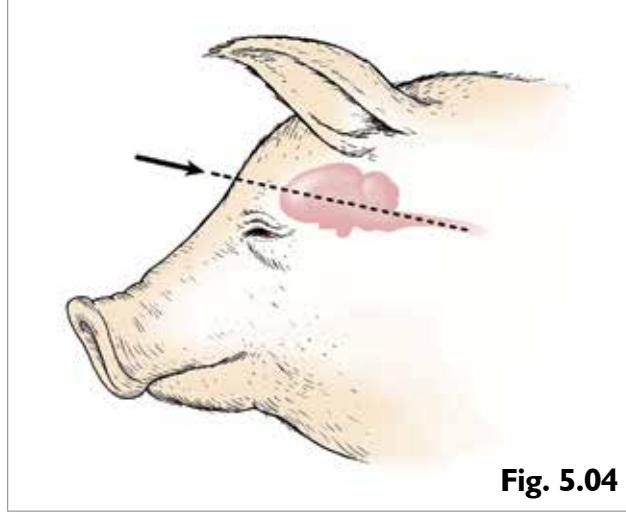


Fig. 5.04

Positioning imagery courtesy of J.K. Shearer, Iowa State University.

	SUGGESTED TOOLS AND CARTRIDGES					
	.22" RANGE		.25" RANGE			
	CASH COWPUNCHER .22R (5413R)	CASH COWPUNCHER .22R LH (5430)	CASH COWPUNCHER .25 (5414)	CASH COWPUNCHER .25R (5414R)	CASH COWPUNCHER .25 LH (5432)	CASH COWPUNCHER .25R LH (5432R)
PIGLETS BELOW 5kg	N/S	N/S	N/S	N/S	N/S	N/S
WEANERS & GROWERS	PURPLE	PURPLE	YELLOW	YELLOW	YELLOW	YELLOW
MARKET PIGS	GREEN	GREEN	BLUE	BLUE	BLUE	BLUE
HEAVY ANIMALS	RED	RED	ORANGE	ORANGE	ORANGE	ORANGE
HEAVY SOWS & BOARS	BLACK	BLACK	BLACK	BLACK	BLACK	BLACK
EXTREMELY HEAVY ANIMALS	N/S	N/S	GREEN	GREEN	GREEN	GREEN

N/S - NOT SUITABLE FOR DENOTED ANIMAL SIZE

CASH® Cowpuncher EFFECTIVE STUNNING AND CARTRIDGE SELECTION

OTHER ANIMAL SPECIES

Although Accles & Shelvoke CASH Cowpuncher stunning tools are predominantly used for the stunning of cattle and pigs for meat production, we know from our 100 year history that they are also used for other animal species, such as, but not limited to:

Mammals such as:

Equines
Deer
Camelids
Etc

As conclusive test results are not available for these animals, we recommend you seek the advice of an independent expert to understand the appropriate cartridge selection, head placement and tool direction, prior to stunning.

ACCLES & SHELVOKE CARTRIDGE RANGE

The following tables identify which cartridges from our range are suitable for use with a given tool from the CASH Cowpuncher range of products. The cartridges are supplied in quantities of 50 in a metal tin, or 1000 in a box. All of our products will be clearly branded as Accles & Shelvoke CASH cartridges.

It is a condition of Accles & Shelvoke's product liability insurance that only CASH cartridges, in CASH cartons and bearing "E" or "C" headmarks, be used in stunners manufactured by Accles & Shelvoke. It follows therefore, that no liability whatsoever can be accepted for any claim, including injury, should any other brand of cartridge be used.

Where cartridges other than these are used, Accles & Shelvoke will not accept responsibility for:

- ▶ The safety of the operator
- ▶ The humaneness of the stun
- ▶ The correct operation of the stunning tool
- ▶ The premature failure of parts

Cartridges must be stored in cool, dry conditions. Exposure to excessive amounts of moisture may affect cartridge performance, which in turn will affect tool performance with the potential to create an ineffective stun of the animal.

When not in use, cartridges should be locked away separately from any stunning tools.

NOTE - "N/S" - WITH REFERENCE TO THE COMPATABILITY TABLES IN THIS SECTION OF THE MANUAL, "N/S" IDENTIFIES THAT THE CARTRIDGES HIGHLIGHTED ARE NOT SUITABLE FOR USE IN THE STATED PRODUCT IN THE TABLE.



EXCEEDING THE PERMITTED STRENGTH OF CARTRIDGE COULD BE HAZARDOUS TO THE OPERATOR, WILL REDUCE THE EXPECTED LIFE OF THE TOOL OR ITS COMPONENTS AND WILL INVALIDATE OUR WARRANTY

CASH® Cowpuncher
EFFECTIVE STUNNING AND
CARTRIDGE SELECTION

STUNNING TOOL & CARTRIDGE COMPATABILITY - : .22" CALIBRE								
			1 GRAIN	1.25 GRAIN	2.5 GRAIN	3 GRAIN	4 GRAIN	4.5 GRAIN
CALIBRE	PRODUCT CODE	DESCRIPTION	BROWN	PINK	PURPLE	GREEN	RED	BLACK
.22"	5413R	CASH Cowpuncher .22R	N/S	N/S	YES	YES	YES	YES
	5430	CASH Cowpuncher .22 LH	N/S	N/S	YES	YES	YES	YES

To order your .22" calibre cartridges, please select the appropriate part number from the table below:

PART NUMBERS FOR .22" CARTRIDGES BY QUANTITY				
SIZE	COLOUR	50 IN A TIN	1000 IN A BOX	
1 GRAIN	BROWN	7505T	7505	
1.25 GRAIN	PINK	7585T	7585	
2.5 GRAIN	PURPLE	7565T	7565	
3 GRAIN	GREEN	7632T	7632	
4 GRAIN	RED	7645T	7645	
4.5 GRAIN	BLACK	7653T	7653	

CASH® Cowpuncher
EFFECTIVE STUNNING AND
CARTRIDGE SELECTION

STUNNING TOOL & CARTRIDGE COMPATABILITY - : .25" CALIBRE

			1.25 GRAIN	2 GRAIN	3 GRAIN	3.5 GRAIN	4 GRAIN	4.5 GRAIN
CALIBRE	PRODUCT CODE	DESCRIPTION	PINK	YELLOW	BLUE	ORANGE	BLACK	GREEN
.25"	5414	CASH Cowpuncher .25	N/S	YES	YES	YES	YES	YES
	5414R	CASH Cowpuncher .25R	N/S	YES	YES	YES	YES	YES
	5432	CASH Cowpuncher .25 LH	N/S	YES	YES	YES	YES	YES
	5432R	CASH Cowpuncher .25R LH	N/S	YES	YES	YES	YES	YES

To order your .25" calibre cartridges, please select the appropriate part number from the table below:

PART NUMBERS FOR .25" CARTRIDGES BY QUANTITY

SIZE	COLOUR	50 IN A TIN	1000 IN A BOX
1.25 GRAIN	PINK	4121KA	7760
2 GRAIN	YELLOW	4121KB	7710
3 GRAIN	BLUE	4121KC	7757
3.5 GRAIN	ORANGE	4121KD	7748
4 GRAIN	BLACK	7754T	7754
4.5 GRAIN	GREEN	7725T	7725

CASH® Cowpuncher EFFECTIVE STUNNING AND CARTRIDGE SELECTION

KEY PARAMETERS FOR CARTRIDGE SELECTION

The tables on this page detail the key performance parameters for the CASH Cowpuncher range of tools when used in conjunction with approved Accles & Shelvoke cartridges.

This information is issued to satisfy the requirements of EU Council Regulation (EC) Number 1099/2009 on the protection of animals at the time of killing. It provides guidelines to aid the selection of an appropriate cartridge to perform effective stunning on a particular type and size of animal. Whilst we believe this regulation is open to interpretation, these parameters have been published following years of experience.

These figures may only be used when quoted with the associated notes. Accles & Shelvoke will not accept responsibility for the reliability of these figures if used out of context.

PRODUCT CODE	CALIBRE	CARTRIDGE GRAINS (NOMINAL)	ACCLES & SHELVOKE CARTRIDGE COLOUR	BOLT DIAMETER (MM)	AVERAGE BOLT VELOCITY* (M/S)	MINIMUM BOLT EXIT LENGTH** (MM)	ENERGY GENERATED (J)
5413R & 5430	.22"	2.5	PURPLE	11.4	46.7	65	268
		3	GREEN		50.0		306
		4	RED		55.0		358
		4.5	BLACK		59.8		418
5414, 5414R, 5432 & 5432R	.25"	2	YELLOW	11.4	47.2	65	273
		3	BLUE		50.8		316
		3.5	ORANGE		53.1		345
		4	BLACK		60.2		445
		4.5	GREEN		66.6		544

Notes

* When measured in air over a distance of 47mm, 15mm from the muzzle tip of the tool.

** When fired in air

The velocity figures quoted are accurate within +/- 10%, when using a stunner that is in good condition and maintained in accordance with this instruction manual.



DANGER

ONLY COCK THE TOOL READY FOR FIRING
IMMEDIATELY BEFORE USE
IF DROPPED WHEN COCKED THIS TOOL COULD
CAUSE SERIOUS INJURY OR DEATH



DO NOT ATTEMPT TO USE THIS STUNNING TOOL UNTIL YOU HAVE READ AND UNDERSTOOD THESE INSTRUCTIONS.



ALWAYS WEAR THE CORRECT PERSONAL PROTECTIVE EQUIPMENT (PPE) WHENEVER YOU ARE WORKING WITH, CLEANING OR MAINTAINING YOUR COWPUNCHER TOOL. ALWAYS WEAR PROTECTIVE GLASSES AND HEARING PROTECTION. THE CORRECT FOOT PROTECTION MUST BE WORN. THERE IS A RISK THAT IF THE TOOL IS DROPPED, THE BOLT MAY PENETRATE THE FOOT OF THE TOOL USER.

GENERAL SAFETY STATEMENT

- ▶ THE INTENDED USE OF THIS TOOL IS FOR THE STUNNING OF ANIMALS PRIOR TO SLAUGHTER OR DEPOPULATION
- ▶ ANYONE GRANTED THE AUTHORITY TO USE ONE OF THESE TOOLS TO STUN ANIMALS SHOULD HAVE READ THIS INSTRUCTION MANUAL SUCH THAT THEY ARE MADE FULLY AWARE OF THE POTENTIAL RISKS
- ▶ THIS TOOL HAS THE POTENTIAL TO CAUSE SEVERE INJURY OR FATALITY IF USED IMPROPERLY OR INAPPROPRIATELY OUTSIDE OF ITS INTENDED SCOPE OF USE



DANGER - The hazards listed in this section pose a high level of risk which, if not avoided will result in death or serious injury

- ▶ NEVER POINT THE STUNNING TOOL AT YOURSELF OR ANY OTHER PERSON - THE BOLT WILL PENETRATE BODY PARTS AND MAY LEAD TO SEVERE AND IRREVERSIBLE DAMAGE, POSSIBLY LEADING TO FATALITY
- ▶ NEVER FIRE THE STUNNING TOOL IN AN AREA DESIGNATED AS FLAMMABLE OR CONTAINING EXPLOSIVES
- ▶ NEVER PASS THE TOOL TO ANY OTHER PERSON WHEN IT IS COCKED AND READY TO FIRE - ACCIDENTAL FIRING OF THE BOLT WILL PENETRATE BODY PARTS AND MAY LEAD TO SEVERE AND IRREVERSIBLE DAMAGE POSSIBLY LEADING TO FATALITY
- ▶ NEVER LEAVE A CARTRIDGE, WHETHER LIVE OR FIRED, IN THE BREECH - TO PREVENT ACCIDENTAL FIRING OF THE BOLT
- ▶ TOOLS SHOULD BE FIRED AS FAR AWAY FROM THE BODY AS IS COMFORTABLE AND ALWAYS POINTING AWAY FROM THE OPERATOR - FIRING OF THE BOLT TOWARD BODY PARTS MAY PENETRATE THE BODY AND MAY LEAD TO SEVERE AND IRREVERSIBLE DAMAGE, POSSIBLY LEADING TO FATALITY
- ▶ NEVER MODIFY OR CUSTOMISE THE TOOL - THIS MAY RENDER THE TOOL UNSTABLE AND UNSAFE FOR USE, WITH THE POTENTIAL TO FIRE ACCIDENTALLY. IT WILL ALSO INVALIDATE YOUR WARRANTY
- ▶ ENSURE YOU ARE BALANCED AND STABLE PRIOR TO FIRING TO AID TOOL POSITIONING ACCURACY. AVOID OVER-STRETCHING AND UNFAVOURABLE BODY POSITIONS - TO MINIMISE THE RISK OF DROPPING THE TOOL AND/OR ACCIDENTAL FIRING
- ▶ CARTRIDGE MISFIRES - IF THE CARTRIDGE HAS MISFIRED (NOT FIRED), PUT THE TOOL DOWN IMMEDIATELY AND WAIT FOR 30 SECONDS BEFORE FOLLOWING THE PROCEDURE IN SECTION 9 OF THIS MANUAL - TO AVOID DELAYED FIRING OF THE CARTRIDGE - WHICH MAY CAUSE SEVERE DAMAGE IF FIRING OCCURS WHILST BEING HANDLED



ALWAYS WEAR THE CORRECT PERSONAL PROTECTIVE EQUIPMENT (PPE) WHENEVER YOU ARE WORKING WITH, CLEANING OR MAINTAINING YOUR COWPUNCHER TOOL. ALWAYS WEAR PROTECTIVE GLASSES AND HEARING PROTECTION. THE CORRECT FOOT PROTECTION MUST BE WORN. THERE IS A RISK THAT IF THE TOOL IS DROPPED, THE BOLT MAY PENETRATE THE FOOT OF THE TOOL USER.



DANGER - If the tool is set in the cocked (ready to fire) position and is dropped, there is a potential risk to the operator and/or people within the immediate vicinity of the dropped tool. The hazards listed in this section pose a high level of risk, which if not avoided will result in serious injury.

- ▶ IF IT LANDS ON THE BARREL, THE TOOL WILL FIRE AND THE BOLT WILL BE PROPELLED OUT OF THE TOOL. IF THE BARREL LANDS ON THE FOOT OF THE OPERATOR, THE BOLT COULD PENETRATE THE FOOT. OPERATORS MUST WEAR THE CORRECT FOOT PROTECTION
- ▶ IF IT LANDS ON THE BARREL THE TOOL WILL FIRE AND THE BOLT WILL BE PROPELLED OUT OF THE TOOL. IF THE CONTACT SURFACE IS A HARD MATERIAL, THE IMPACT FROM THE BOLT WILL CAUSE THE TOOL TO REBOUND BACK IN THE OPPOSITE DIRECTION TO THE BOLT. THE TOOL COULD REBOUND BACK TOWARD THE OPERATOR AND HIT THE OPERATOR OR SOMEONE IN THE VICINITY
- ▶ IF IT LANDS ON THE CAP, THE TOOL WILL FIRE AND THE BOLT WILL BE PROPELLED OUT OF THE TOOL UPWARDS. IF THE OPERATOR TRIES TO CATCH THE TOOL AND THEIR HAND IS OVER THE END OF THE BARREL AT THE POINT OF IMPACT, THE BOLT WILL PENETRATE THE HAND (OR ANY BODY PART COVERING THE END OF THE BARREL THAT THE BOLT LEAVES)

OUR ADVICE TO MINIMISE THE RISK:-

- ▶ IF THE TOOL IS DROPPED, LET IT FALL, DO NOT TRY TO CATCH IT
- ▶ STEP AS FAR AWAY (AS IT IS SAFE TO) FROM THE TOOL AS IT FALLS, BUT WATCH IT HIT THE FLOOR
- ▶ TAKE APPROPRIATE AVOIDABLE ACTION IF TOOL REBOUNDS
- ▶ DO NOT APPROACH THE TOOL UNTIL IT IS STATIONARY
- ▶ AFTER BEING DROPPED, CHECK THAT THE POLEAXE END OF THE BOLT IS NOT DAMAGED
- ▶ ENSURE THE TOOL IS WORKING CORRECTLY BEFORE RECOMMENCING ANY STUNNING
- ▶ IF IN DOUBT, THE TOOL SHOULD BE CHECKED AND REPAIRED AS NECESSARY



WARNING - The hazards listed in this section pose a medium level of risk which, if not avoided may result in recoverable injury

- ▶ DO NOT FIRE THE BOLT INTO HARD, BRITTLE OR IMPENETRABLE MATERIALS - AS THE BOLT MAY FRAGMENT AND POSE A DANGER OF FLYING PARTICLES
- ▶ NEVER USE A MORE POWERFUL CARTRIDGE THAN THE MAXIMUM PERMITTED CARTRIDGE AS STAMPED ON YOUR STUNNING TOOL - TO PREVENT CARTRIDGE BURST AND EXCESSIVE NOISE IN OPERATION
- ▶ KEEP THE TOOL DRY AND CLEAN - TO ENSURE YOU HAVE AN ADEQUATE GRIP ON THE TOOL DURING USE AND MINIMISE THE RISK OF DROPPING THE TOOL
- ▶ WHEN PLACING THE ASSEMBLED TOOL – OR IF THE TOOL HAS BEEN SEPARATED THE CAP OR BARREL (REFER TO FIG 3.01) – DOWN ONTO A WORK SURFACE ENSURE THERE IS A MEANS TO PREVENT THE TOOL OR TOOL PARTS FROM ROLLING OFF THE WORK SURFACE. IF THE TOOL FALLS OR DROPS FROM THE WORK SURFACE, IT MAY DROP ONTO THE FOOT OF THE OPERATOR OR OTHER PEOPLE IN THE VICINITY.



CAUTION - The hazards listed in this section pose a low level of risk which, if not avoided may result in minor or moderate injury

- ▶ TO AVOID TRAPPING FINGERS OR OTHER PARTS OF THE HAND WHEN ASSEMBLING THE CAP TO THE BARREL, HOLD THE CAP ABOVE THE RED 'O' RINGS IN THE KNURLED AREA, AND HOLD THE BARREL BELOW THE BOTTOM LOBES SO THE RED DOTS ARE STILL VISIBLE (REFER TO FIG 7.01).



ALWAYS WEAR THE CORRECT PERSONAL PROTECTIVE EQUIPMENT (PPE) WHENEVER YOU ARE WORKING WITH, CLEANING OR MAINTAINING YOUR COWPUNCHER TOOL. ALWAYS WEAR PROTECTIVE GLASSES AND HEARING PROTECTION. THE CORRECT FOOT PROTECTION MUST BE WORN. THERE IS A RISK THAT IF THE TOOL IS DROPPED, THE BOLT MAY PENETRATE THE FOOT OF THE TOOL USER.



NEVER HANDLE OR OPERATE ANY STUNNING EQUIPMENT WHILST UNDER THE INFLUENCE OF ALCOHOL OR DRUGS. IF TAKING PRESCRIBED MEDICATION, SEEK THE ADVICE OF YOUR DOCTOR PRIOR TO HANDLING OR OPERATING STUNNING EQUIPMENT.

GENERAL PRECAUTIONS AND GOOD PRACTISE

IMPROPER USE

- ▶ ONLY EVER USE THIS TOOL FOR THE STUNNING OF LIVE ANIMALS
- ▶ ONLY EVER USE GENUINE ACCLES & SHELVOKE SUPPLIED CARTRIDGES AND SPARES
- ▶ DO NOT FIRE "AIR SHOTS" (FIRING OF THE BOLT INTO AIR) AS THIS WILL REDUCE THE WORKING LIFE OF THE TOOL AND ITS COMPONENTS

WORKPLACE PRECAUTIONS

- ▶ THE TOOL SHOULD BE USED IN WELL ILLUMINATED AND WELL VENTILATED WORKPLACE ENVIRONMENTS
- ▶ KEEP THE WORKPLACE CLEAN AND CLEAR OF UNNECESSARY OBSTACLES OR TRIP HAZARDS
- ▶ ENSURE THE AREA SURROUNDING THE STUN BOX IS FREE OF SLIPPERY SUBSTANCES. THESE ARE POTENTIAL SLIP HAZARDS TO THE OPERATOR WHICH COULD LEAD TO SERIOUS INJURY OR FATALITY IF THE OPERATOR SLIPS WHILST HOLDING A COCKED TOOL

OPERATIONAL PRECAUTIONS

- ▶ ONLY LOAD CARTRIDGES WHEN THEY ARE READY TO BE USED
- ▶ IF A CARTRIDGE STICKS IN THE BREECH AND WILL NOT EJECT, DO NOT USE A SHARP INSTRUMENT TO REMOVE. THE CARTRIDGE SHOULD BE REMOVED IN ACCORDANCE WITH THESE INSTRUCTIONS IN SECTION 9 - TROUBLESHOOTING
- ▶ TOOLS MAY BE USED IN AN ALTERNATING SYSTEM AS PART OF A PLANNED OPERATING CYCLE
- ▶ JOB ROTATION MAY HELP MAINTAIN THE APPROPRIATE HIGH LEVELS OF CONCENTRATION REQUIRED AT THE WORKPLACE, HELPING TO MINIMISE ANY RISK DUE TO TIREDNESS OR FATIGUE

GOOD PRACTISE

- ▶ THE CLEANING AND MAINTENANCE SCHEDULE DETAILED IN THIS MANUAL SHOULD BE ADHERED TO, TO ENSURE THE TOOL OPERATES SAFELY AND CORRECTLY TO PROVIDE EFFECTIVE ANIMAL STUNNING
- ▶ AT THE END OF A WORKING SHIFT, OR IF THE TOOL IS NOT GOING TO BE USED FOR PROLONGED PERIODS, THE UNCOCKED AND UNLOADED TOOL SHOULD BE STORED IN COOL DRY CONDITIONS AND LOCKED SECURELY IN A WAY THAT NO UNAUTHORISED ACCESS TO THE TOOL IS POSSIBLE
- ▶ CARTRIDGES SHOULD BE LOCKED AWAY SEPARATELY FROM THE STUNNING TOOL IN COOL, DRY CONDITIONS
- ▶ EXPOSURE TO EXCESSIVE AMOUNTS OF MOISTURE MAY AFFECT CARTRIDGE PERFORMANCE WHICH IN TURN WILL AFFECT TOOL PERFORMANCE, WITH THE POTENTIAL TO CREATE AN INEFFECTIVE STUN OF THE ANIMAL. WET CARTRIDGES WILL NOT FIRE AND SHOULD NOT BE USED
- ▶ ALWAYS WASH YOUR HANDS AFTER USING ANY STUNNING TOOL TO ENSURE CLEANLINESS
- ▶ IT IS ADVISABLE, BEFORE USING YOUR CASH COWPUNCHER TOOL FOR THE FIRST TIME, TO FAMILIARISE YOURSELF WITH THE ASSEMBLY OF THE CAP TO THE BARREL AND THE SUBSEQUENT ALIGNMENT OF THE RED DOTS TO COCK THE TOOL (MAKE READY FOR FIRING) AND ALSO TO PRACTISE TARGET ALIGNMENT TO ASSIST WITH TOOL PLACEMENT ACCURACY.



ALWAYS WEAR THE CORRECT PERSONAL PROTECTIVE EQUIPMENT (PPE) WHENEVER YOU ARE WORKING WITH, CLEANING OR MAINTAINING YOUR COWPUNCHER TOOL. ALWAYS WEAR PROTECTIVE GLASSES AND HEARING PROTECTION. THE CORRECT FOOT PROTECTION MUST BE WORN. THERE IS A RISK THAT IF THE TOOL IS DROPPED, THE BOLT MAY PENETRATE THE FOOT OF THE TOOL USER.

TRANSPORTATION OF STUNNING TOOLS AND CARTRIDGES BETWEEN SITES

THIS TOOL HAS BEEN SUPPLIED TO YOU WITH THE INTENTION OF SINGLE SITE USE - SUPPLIED WITHOUT A LOCKABLE STORAGE CONTAINER. SHOULD THERE BE A NEED TO TRANSPORT THIS TOOL AND LIVE CARTRIDGES BY ROAD BETWEEN SITES, WE ADVISE:-

- ▶ PRIOR TO TRANSPORTATION, YOU SHOULD SEEK THE APPROPRIATE ADVICE CONCERNING APPLICABLE LOCAL LAWS AND REGULATIONS IN FORCE ON THE TRANSPORTATION OF CARTRIDGES TO BE USED FOR ANIMAL STUNNING
- ▶ THE TOOL AND CARTRIDGES ARE TRANSPORTED IN SEPARATE LOCKABLE CONTAINERS
- ▶ THEY ARE HIDDEN FROM PUBLIC VIEW, ie NO-ONE OUTSIDE OF THE VEHICLE CAN SEE THE LOCKABLE CONTAINERS WITHIN THE VEHICLE.

CASH® Cowpuncher SAFE OPERATING INSTRUCTIONS



DO NOT ATTEMPT TO USE THIS STUNNING TOOL UNTIL YOU HAVE READ AND UNDERSTOOD THESE INSTRUCTIONS.



ALWAYS WEAR THE CORRECT PERSONAL PROTECTIVE EQUIPMENT (PPE) WHENEVER YOU ARE WORKING WITH, CLEANING OR MAINTAINING YOUR COWPUNCHER TOOL. ALWAYS WEAR PROTECTIVE GLASSES AND HEARING PROTECTION. THE CORRECT FOOT PROTECTION MUST BE WORN. THERE IS A RISK THAT IF THE TOOL IS DROPPED, THE BOLT MAY PENETRATE THE FOOT OF THE TOOL USER.



WHEN PLACING THE ASSEMBLED TOOL – OR IF THE TOOL HAS BEEN SEPARATED THE CAP OR BARREL (REFER TO FIG 3.01) – DOWN ONTO A STORAGE SURFACE ENSURE THERE IS A MEANS TO PREVENT THE TOOL OR TOOL PARTS FROM ROLLING OFF THE STORAGE SURFACE. IF THE TOOL FALLS OR DROPS FROM THE STORAGE SURFACE, IT MAY DROP ONTO THE FOOT OF THE OPERATOR OR OTHER PEOPLE IN THE VICINITY.

IT IS ADVISABLE, BEFORE USING YOUR CASH COWPUNCHER TOOL FOR THE FIRST TIME, TO FAMILIARISE YOURSELF WITH THE ASSEMBLY OF THE CAP TO THE BARREL AND THE SUBSEQUENT ALIGNMENT OF THE RED DOTS TO COCK THE TOOL (MAKE READY FOR FIRING) AND ALSO TO PRACTISE TARGET ALIGNMENT TO ASSIST WITH TOOL PLACEMENT ACCURACY.

NOTE

- ▶ The maximum recommended usage rate for a CASH Cowpuncher tool is 60 shots per hour using the maximum specified cartridge

1 PREPARING FOR LOADING



ALWAYS POINT THE TOOL AWAY FROM YOUR BODY AND AWAY FROM ANY OTHER PERSON IN THE VICINITY WHEN HANDLING OR OPERATING THE TOOL

- 1.1 Hold the tool on the barrel, ensure your hand is below the bottom lobes so that the red dots are visible (FIG 7.01)
- 1.2 Using other hand rotate cap through 60° so that the red dots are not aligned (FIG 7.02)
- 1.3 With the tool pointing cap downwards, slide cap away from barrel until the two separate

NOTE

- ▶ If spent cartridge is stuck in the chamber do not attempt to remove it by prising out with a sharp implement or improvised extraction tool. ONLY use extraction tool provided.
- ▶ Ensure that the bolt is fully retracted before inserting a cartridge (FIG 7.03). If the bolt is not fully retracted, this will reduce the stunning power of the tool causing an ineffective stun.



Fig. 7.01

©2016 Accles & Shelvoke



Fig. 7.02

©2016 Accles & Shelvoke



DANGER

ONLY COCK THE TOOL READY FOR FIRING
IMMEDIATELY BEFORE USE
IF DROPPED WHEN COCKED THIS TOOL COULD
CAUSE SERIOUS INJURY OR DEATH



2 LOADING

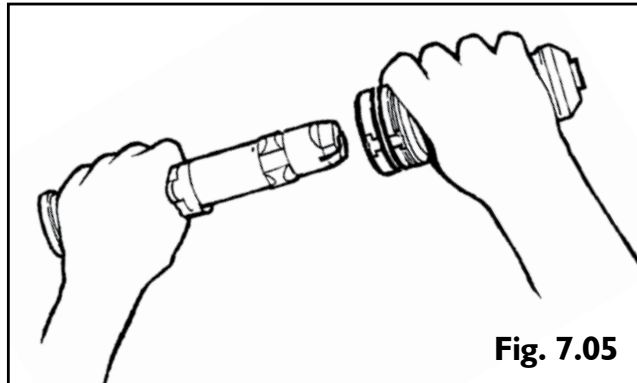
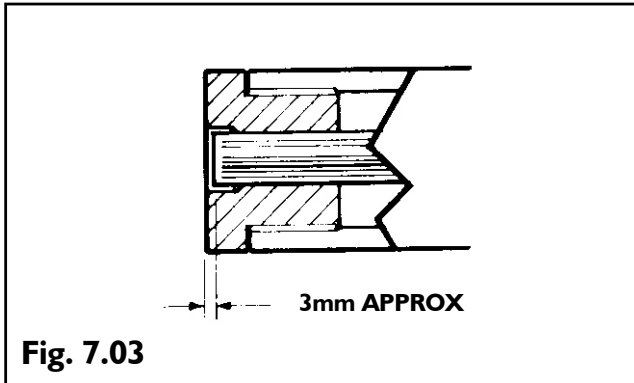


ALWAYS POINT THE TOOL AWAY FROM YOUR BODY AND AWAY FROM ANY OTHER PERSON IN THE VICINITY WHEN HANDLING OR OPERATING THE TOOL

- 2.1 Obtain a single cartridge, and load the cartridge into the cartridge chamber crimped end first (Fig 7.04)
- 2.2 Keep the muzzle pointing downward when loading to prevent the cartridge falling out of the breech (7.05)

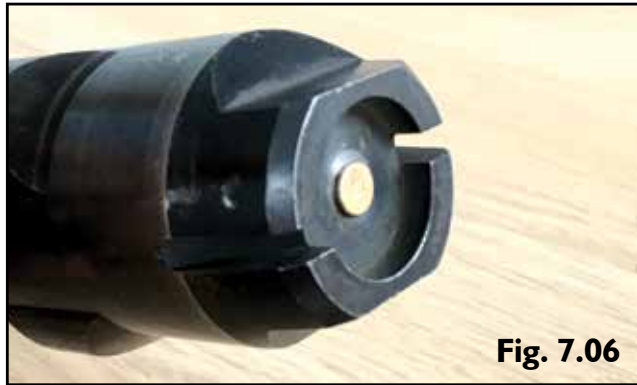
NOTE

- ▶ Only load the cartridge immediately before firing
- ▶ Keep the cartridge clean and dry before insertion into the chamber
- ▶ Ensure cartridge head is flat on breech face (FIG 7.06)
- ▶ Only use the correct grade of CASH cartridge bearing the “E” or “C” headmark, (FIG. 7.07)
- ▶ When not in use, never leave a cartridge in the chamber, whether live or spent
- ▶ Never leave a loaded stunner unattended



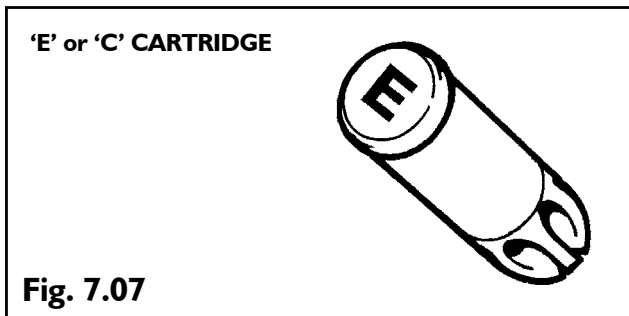
©2016 Accles & Shelvocke

©2016 Accles & Shelvocke



©2016 Accles & Shelvocke

©2016 Accles & Shelvocke



©2016 Accles & Shelvocke

DANGER

ONLY COCK THE TOOL READY FOR FIRING IMMEDIATELY BEFORE USE

IF DROPPED WHEN COCKED THIS TOOL COULD CAUSE SERIOUS INJURY OR DEATH

3 MAKE READY FOR FIRING



ALWAYS POINT THE TOOL AWAY FROM YOUR BODY AND AWAY FROM ANY OTHER PERSON IN THE VICINITY WHEN HANDLING OR OPERATING THE TOOL

- 3.1 With the tool facing away from you and the barrel pointing downward, slot the barrel back into the breech cap (FIG 7.08)
- 3.2 Ensure cap is slid fully down onto the barrel (FIG 7.09)
- 3.3 Rotate cap through 60° aligning the red dots, one on barrel, one on cap (FIG. 7.10)



WARNING - AT THIS POINT THE COWPUNCHER IS COCKED AND READY TO FIRE. ANY PRESSURE APPLIED TO THE BARREL/MUZZLE WILL OPERATE THIS TOOL! DO NOT POINT THIS TOOL AT YOURSELF OR ANY OTHER PERSONS!

NOTE

- ▶ TO AVOID TRAPPING FINGERS OR OTHER PARTS OF THE HAND WHEN ASSEMBLING THE CAP TO THE BARREL, HOLD THE CAP ABOVE THE RED 'O' RINGS IN THE KNURLED AREA, AND HOLD THE BARREL BELOW THE BOTTOM LOBES SO THE RED DOTS ARE STILL VISIBLE (REFER TO FIG 7.11)



©2016 Accles & Shelvocke



©2016 Accles & Shelvocke



©2016 Accles & Shelvocke



©2016 Accles & Shelvocke



DANGER

ONLY COCK THE TOOL READY FOR FIRING IMMEDIATELY BEFORE USE
IF DROPPED WHEN COCKED THIS TOOL COULD CAUSE SERIOUS INJURY OR DEATH



4 FIRE



ALWAYS POINT THE TOOL AWAY FROM YOUR BODY AND AWAY FROM ANY OTHER PERSON IN THE VICINITY WHEN HANDLING OR OPERATING THE TOOL

- 4.1 Hold the assembled tool vertically by the cap using only one hand (FIG 7.11)
- 4.2 Without touching the animals head align the muzzle of the tool into the correct position above the target animals head
- 4.3 When aligned correctly, tap the tool downward onto the animals head - **THE TOOL WILL INSTANTANEOUSLY FIRE** - stunning the animal

NOTE

- ▶ Refer to section 5 - Effective stunning and cartridge selection for the correct stunning position and angle for the target animal
- ▶ Do not attempt to FIRE if the animal is moving its head
- ▶ Once the tool barrel/muzzle is depressed, the tool will fire – it is important the tool is aligned correctly to the target animals head to ensure an effective stun
- ▶ If the stun is aborted, disassemble the tool and remove the cartridge to make the tool safe
- ▶ We recommend not using the tool at angles greater than 60° from the vertical as the cartridge may dislodge from the chamber during operation (FIG 7.12)



Fig. 7.11

©2016 Accles & Shelvoke

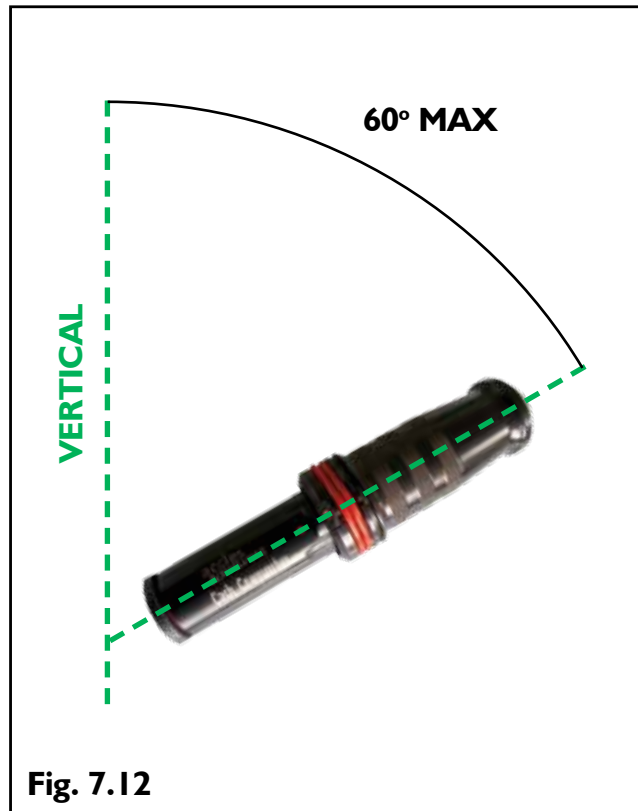


Fig. 7.12

©2016 Accles & Shelvoke



DANGER

**ONLY COCK THE TOOL READY FOR FIRING
IMMEDIATELY BEFORE USE**
**IF DROPPED WHEN COCKED THIS TOOL COULD
CAUSE SERIOUS INJURY OR DEATH**



5 EXTRACTION



ALWAYS POINT THE TOOL AWAY FROM YOUR BODY AND AWAY FROM ANY OTHER PERSON IN THE VICINITY WHEN HANDLING OR OPERATING THE TOOL

- 5.1 Hold the tool on the barrel, ensure your hand is below the bottom lobes so that the red dots are visible (FIG 7.13)
- 5.2 Using other hand rotate cap through 60° so that the red dots are not aligned (FIG 7.14)
- 5.3 With the tool pointing cap downwards, slide cap away from barrel until the two separate
- 5.4 Immediately after firing, the action of pulling the cap from the barrel extracts the spent case from the chamber, it may eject into the cap
- 5.5 In the event of the spent case not being automatically extracted, the extractor tool can be used
- 5.6 The tool is now ready for the next cartridge



IF THE CARTRIDGE HAS MISFIRED (NOT FIRED), PUT THE TOOL DOWN IMMEDIATELY AND WAIT FOR 30 SECONDS BEFORE FOLLOWING THE PROCEDURE IN SECTION 9 OF THIS MANUAL

NOTE

- ▶ If the spent cartridge is stuck in the chamber, follow the procedure in Section 9 of this manual to remove safely
- ▶ Do not use a sharp implement to remove stuck cartridges as this may damage the breech



Fig. 7.13

©2016 Accles & Shelvoke



Fig. 7.14

©2016 Accles & Shelvoke



DO NOT ATTEMPT TO USE THIS STUNNING TOOL UNTIL YOU HAVE READ AND UNDERSTOOD THESE INSTRUCTIONS.



ALWAYS WEAR THE CORRECT PERSONAL PROTECTIVE EQUIPMENT (PPE) WHENEVER YOU ARE WORKING WITH, CLEANING OR MAINTAINING YOUR COWPUNCHER TOOL. ALWAYS WEAR PROTECTIVE GLASSES AND HEARING PROTECTION. THE CORRECT FOOT PROTECTION MUST BE WORN. THERE IS A RISK THAT IF THE TOOL IS DROPPED, THE BOLT MAY PENETRATE THE FOOT OF THE TOOL USER.

PART NO.	DESCRIPTION	QUANTITY PER SET
4291	MUZZLE SPANNER	1
5411	BREECH CLEANER	1
5373	EXTRACTOR TOOL	1
5357	UNDERCUT CLEANER	1
4187	** CASH PISTOL OIL	1
4192	** COPASLIP THREAD GREASE	1
6076	** YOUNGS 303 CLEANING FLUID	1
5900	HANDLE	1
5901	CHAMBER BRUSH (.22) #	1
5903	WOOL MOP (.22) #	1
5902	CHAMBER BRUSH (.25) #	1
5904	WOOL MOP (.25) #	1

TABLE NOTES

Items highlighted above are included with every CASH Cowpuncher Tool.

The non-highlighted items are available as maintenance spares.

** Product Data Sheets available upon request

Brush and Mop supplied in accordance with the calibre of tool

MAINTENANCE AND CLEANING RECORD

It is good practise and a requirement of EU COUNCIL REGULATION (EC) No 1099/2009 - On the protection of animals at the time of killing, that all stunning equipment is maintained in accordance with the manufacturers' instructions and that a log detailing the maintenance is recorded and available for external auditing purposes.

We recommend you create a maintenance and cleaning record for each individual stunning tool, containing as a minimum the following information

- ▶ Stunner product code and description
- ▶ Serial number
- ▶ Service start date (date tool was first used)
- ▶ Cleaning dates - both daily and weekly (in accordance with the cleaning stated in this instruction manual)
- ▶ Part replacement details - part number and description - date replacement/maintenance took place
- ▶ Stun Check record - Univeral Stun Check unit serial number, date checked, cartridge colour used, pass or fail
- ▶ Shots fired - total number of shots fired with the tool on a daily or weekly basis
- ▶ Name and position of person conducting the cleaning or maintenance on any given day

ONLY EVER USE GENUINE ACCLES & SHELVOKE REPLACEMENT PARTS. NOT USING GENUINE PARTS MAY LEAD TO PREMATURE COMPONENT AND TOOL FAILURE, WHICH COULD ENDANGER THE OPERATOR AND THOSE IN THE IMMEDIATE VICINITY. IT WILL ALSO INVALIDATE OUR ORIGINAL EQUIPMENT WARRANTY.

ACCLES & SHELVOKE WILL ACCEPT NO LIABILITY IF ANY COMPONENTS OTHER THAN THOSE SUPPLIED BY ACCLES & SHELVOKE ARE USED WITH OUR ORIGINAL EQUIPMENT. THE RESULTANT LIABILITY WILL BE WITH THE END USER OR THE DISTRIBUTOR WHO SUPPLIED THE UNAPPROVED REPLACEMENT PARTS.



ALWAYS POINT THE TOOL AWAY FROM YOUR BODY AND AWAY FROM ANY OTHER PERSON IN THE VICINITY WHEN HANDLING OR OPERATING THE TOOL

CLEANING DAILY - CASH Cowpuncher

- 1 Remove cap from barrel and ensure stunner is not loaded.
- 2 Unscrew muzzle from barrel - **NOTE!** If the muzzle is too tight and will not unscrew, grip the barrel around the lugs in a soft jaw vice and unscrew the muzzle with the spanner provided.
- 3 Withdraw bolt complete with washers and recuperator sleeves from the barrel. **NOTE!** The stop washers and some recuperator sleeves may have been retained in the barrel – ensure to **REMOVE** before cleaning.
- 4 Clean inside of barrel including undercut with a cloth soaked in pistol oil and followed with the steel brush end of cleaning tool.
- 5 Wipe the barrel and breech out with a clean rag.
- 6 Remove the washers and recuperator sleeves from bolt and wire wheel or brush powder residue from piston end of bolt - wipe with cloth when clean. Wipe any residue from recuperator sleeves and washers and examine for wear.
 - 6.1 **Stop washer - Red Colour** - There are three of these washers at the poleaxe (front) end of the bolt, which fit against the front internal end of the barrel. They protect the recuperator sleeves and as soon as they show signs of wear on either the inside or outside diameter, they should be replaced.
 - 6.2 **Flange Washer - Blue Colour** - This washer is placed behind the last recuperator sleeve against the bolt flange. As soon as the washer shows signs of wear on the outside edge, it should be replaced.



DO NOT NEGLECT THE WASHERS OR SLEEVES. TOOL PERFORMANCE WILL BE DIMINISHED IF THESE PARTS ARE NOT IN GOOD CONDITION

- 7 Chamber Cleaning - Assemble the chamber brush shown in Fig. 8.01 and the chamber mop shown in Fig. 8.02 to the brush and mop handle Fig 8.03, screwing together hand tight. Using the brush end, insert via the open barrel end, into the cartridge chamber, and with a turning action, push in and out of the chamber to remove all powder residue. Youngs 303 fluid can be used if the powder is difficult to remove. Apply some pistol oil to the mop head. Insert via the open barrel end into the cartridge chamber, and with a turning action, push in and out of the chamber to remove any remaining residue or powder.
- 8 Clean the inside of the breech cap with a cloth soaked in pistol oil and then wipe dry with a clean cloth.

NOTE - WHEN RE-ASSEMBLING, ONLY EVER HAND TIGHTEN THE MUZZLE TO THE BARREL



©2016 Accles & Shelvoke



©2016 Accles & Shelvoke



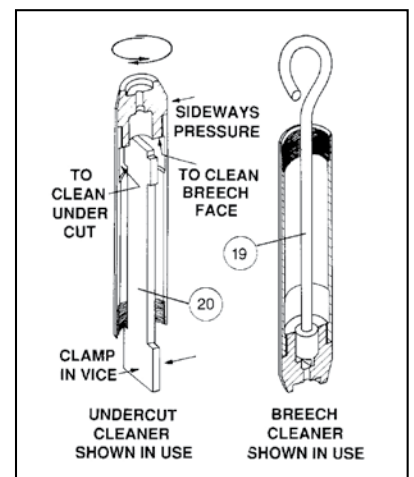
©2016 Accles & Shelvoke

CLEANING WEEKLY - CASH Cowpuncher

ADDITIONAL CLEANING AND MAINTENANCE FREQUENCY DEPENDING ON USE, BUT MINIMUM WEEKLY

The enlarged diameter of the inside the barrel at the breech end, described as the 'undercut', must be kept from filling with powder, otherwise bolt return and stunning power will be effected.

- 1 Grip the undercut cleaner in a vice in a vertical position
- 2 Slide the barrel down the cleaner until the breech face contacts
- 3 Apply sideways pressure to the barrel so that the cleaner enters the undercut. Maintaining the pressure, rotate the barrel backwards and forwards two or three times. Turn the barrel through 90 degrees and repeat. Continue this process until the undercut has been cleaned completely.
- 4 Insert the breech cleaner tool into the barrel and locate the cleaner head into the bore of the breech as shown in Fig. 8.04. Turn clockwise at least 3 times to remove any residue. Remove the breech cleaner and tip the barrel to empty any detached residue.



©2016 Accles & Shelvoke

Fig. 8.04

 **ONLY PERSONNEL WHO HAVE BEEN AUTHORISED TO DO SO SHOULD CONDUCT ANY RECTIFICATION IDENTIFIED IN THIS TROUBLESHOOTING SECTION**



ALWAYS WEAR THE CORRECT PERSONAL PROTECTIVE EQUIPMENT (PPE) WHENEVER YOU ARE WORKING WITH, CLEANING OR MAINTAINING YOUR COWPUNCHER TOOL. ALWAYS WEAR PROTECTIVE GLASSES AND HEARING PROTECTION. THE CORRECT FOOT PROTECTION MUST BE WORN. THERE IS A RISK THAT IF THE TOOL IS DROPPED, THE BOLT MAY PENETRATE THE FOOT OF THE TOOL USER.

SYMPTOMS

CAUSES

ACTION

Cartridge misfires

Firing pin failing to make contact with cartridge

Water or oil-contaminated cartridges
Oil in cartridge chamber

If no indent is visible on the cartridge head, refer to corrective procedure on the next page

Use a new box of cartridges
Remove oil and clean the chamber

Bolt does not fully return into the muzzle.

Incomplete set of recuperator sleeves and washers

Worn washers and recuperator sleeves

Build-up of carbon deposits on piston, breech and in chamber

Bolt is bent

Check and make good, as necessary

Check and replace as necessary

Check and remove by cleaning as instructed in 'Section 8 - Cleaning and General Maintenance'
Replace immediately

Stunner fires, but there is insufficient power to stun the animal (refer to 'Section 5 - Effective Stunning and Cartridge Selection', in this manual, for the physical signs of an effective stun)

Corrosion inside barrel
Incorrect strength of cartridge being used

Incorrect positioning of stunner on animal

Bolt not returning fully to the breech after each shot

Stunner worn

Check and remove if present

Check type of cartridge against product code of stunner and animals being stunned by referring to 'Section 5' in this manual

Check correct stunning position for type of animal being stunned by referring to 'Section 5' in this manual

Check for carbon deposits on bolt, breech or in chamber and remove by cleaning as instructed in 'Section 8' of this manual

Check recuperator sleeves, washers and collars for wear and replace as necessary

Check number of washers, recuperator sleeves and collars, make good as necessary
Replace with new tool

Bolt sticks in animal's head

Bolt is bent
Excessive build up of dirt in tool

Recuperator sleeves excessively worn or missing
Cutting edge of bolt narrower than shaft due to incorrect sharpening

Replace immediately

Conduct cleaning as instructed in 'Section 8 - Cleaning and General Maintenance' of this manual

Check and replace as necessary

Replace bolt and sharpen by grinding the inside diameter only

Cartridge stuck or difficult to extract

Split cartridge or damaged cartridge chamber

Cartridge chamber not clean

Return tool to maintenance department for removal and repair

Refer to corrective procedure on next page

Refer to 'Section 8 - Cleaning and General Maintenance' for chamber cleaning instructions

Unusually loud noise when fired

Split cartridge

Check for damaged cartridge chamber / breech, return to manufacturer for repair

Check that the correct cartridge is being used



ALWAYS POINT THE TOOL AWAY FROM YOUR BODY AND AWAY FROM ANY OTHER PERSON IN THE VICINITY WHEN HANDLING OR OPERATING THE TOOL

SAFE MISFIRE REMOVAL

If the cartridge does not fire, follow the procedure below

- 1 Holding the tool with the muzzle pointing away from you or any other person, do nothing and wait for at least 30 seconds before continuing
- 2 Turn the cap counter-clockwise to unalign red dots, then pull the barrel away from the cap until the cap parts with the barrel presenting the chamber
- 3 Observe if the cartridge is wet, oily or dirty
- 4 Look at the cartridge head - if it has been struck, drop the cartridge into a water-filled metal container to make safe;
- 5 If there is no indent, follow the corrective procedure below
- 6 Clean the cartridge chamber with the chamber brush and mop as detailed in Section 8 of this instruction manual
- 7 If the tool misfires a second time, remove it from the work area as it requires further investigative work and servicing

MISFIRE - CORRECTIVE ACTION WHEN THE FIRING PIN DOES NOT STRIKE THE HEAD

If no indent is visible on the cartridge head, and referring to Section 10 - Servicing, in this instruction manual, strip down and check the condition and operation of parts

- ▶ Worn or damaged firing pin - replace pin (See section 10)
- ▶ Worn or damaged cartridge chamber - tool has surpassed its expected usage - we recommend the purchase of a new stunning tool
- ▶ Test the tool after every corrective action to ensure the tool is working correctly before putting back into operation

TRAPPED OR STUCK CARTRIDGE REMOVAL

To remove a cartridge that is stuck and will not eject via the extractor

- 1 Unscrew and remove the muzzle from the tool
- 2 Remove the washers, sleeves and bolt
- 3 Grip the barrel in a soft jawed vice
- 4 Using a push rod of 3/16" (4.5mm) diameter, insert into the barrel and gently push out the cartridge through the cartridge chamber
- 5 Reassemble using reverse procedure to above
- 6 Clean the cartridge chamber with the chamber brush and mop as detailed in Section 8 of this instruction manual
- 7 If the tool misfires a second time, remove it from the work area as it requires further investigative work and servicing



DO NOT ATTEMPT TO USE THIS STUNNING TOOL UNTIL YOU HAVE READ AND UNDERSTOOD THESE INSTRUCTIONS.



ONLY PERSONNEL WHO HAVE BEEN AUTHORISED TO DO SO SHOULD CONDUCT ANY RECTIFICATION IDENTIFIED IN THIS SECTION



ALWAYS WEAR THE CORRECT PERSONAL PROTECTIVE EQUIPMENT (PPE) WHENEVER YOU ARE WORKING WITH, CLEANING OR MAINTAINING YOUR COWPUNCHER TOOL. ALWAYS WEAR PROTECTIVE GLASSES AND HEARING PROTECTION. THE CORRECT FOOT PROTECTION MUST BE WORN. THERE IS A RISK THAT IF THE TOOL IS DROPPED, THE BOLT MAY PENETRATE THE FOOT OF THE TOOL USER.



ALWAYS POINT THE TOOL AWAY FROM YOUR BODY AND AWAY FROM ANY OTHER PERSON IN THE VICINITY WHEN HANDLING OR OPERATING THE TOOL

REPLACING FIRING PIN - item 2 in spare parts list and diagram

Removing the Firing Pin

- 1 Remove the cap from the barrel of the tool
- 2 Prise the bottom Red 'O' Ring (Item 5 in spare parts list and diagram) from the cap, then repeat the process with the remaining 'O' Ring (Once the Red 'O' Rings have been removed, we recommend you replace the 'O' Rings)
- 3 Remove the three Claws (Item 3 in spare parts list and diagram) from the cap
- 4 Place only the flats of the firing pin into the jaws of a vice and secure
- 5 Place a sturdy, flat metal bar into the slots (Fig 10.01) where the claws would usually be found and turn the cap using the metal until the firing pin is loose



©2016 Accles & Shelvoke

Fig. 10.01

Replacing the Firing Pin

- 1 Replace the firing pin and tighten until it is finger tight
- 2 Place only the flats of the firing pin into the soft jaws of a vice and fasten securely using a sturdy, flat metal bar as shown in Fig. 10.01

REPLACING PHOSPHOR BRONZE BALLS - item 4 in spare parts list and diagram

Removing the Phosphor Bronze Balls

- 1 Remove the cap from the barrel of the tool
- 2 Prise the bottom Red 'O' Ring (Item 5 in spare parts list and diagram) from the cap, then repeat the process with the remaining 'O' Ring (Once the Red 'O' Rings have been removed, we recommend you replace the 'O' Rings)
- 3 Remove the three claws (Item 3 in spare parts list and diagram) from the cap exposing the Phosphor Bronze Balls
- 4 Remove the Phosphor Bronze Balls from the cap

Replacing the Phosphor Bronze Balls

- 1 Put a small amount of grease on the area where the ball sits in the cap
- 2 Put the Phosphor Bronze Balls into the greased area
- 3 If not worn, place the claws back into slots on the cap (Replace if worn)
- 4 Put two new 'O' Rings over the Phosphor Bronze Balls and the Claws to secure in place

ONLY EVER USE GENUINE ACCLES & SHELVOKE REPLACEMENT PARTS. NOT USING GENUINE PARTS MAY LEAD TO PREMATURE COMPONENT AND TOOL FAILURE, WHICH COULD ENDANGER THE OPERATOR AND THOSE IN THE IMMEDIATE VICINITY. IT WILL ALSO INVALIDATE OUR ORIGINAL EQUIPMENT WARRANTY.

ACCLES & SHELVOKE WILL ACCEPT NO LIABILITY IF ANY COMPONENTS OTHER THAN THOSE SUPPLIED BY ACCLES & SHELVOKE ARE USED WITH OUR ORIGINAL EQUIPMENT. THE RESULTANT LIABILITY WILL BE WITH THE END USER OR THE DISTRIBUTOR WHO SUPPLIED THE UNAPPROVED REPLACEMENT PARTS.

Accles & Shelvoke provide a comprehensive service and repair facility where customers can have their CASH stunner serviced by our highly experienced and trained engineers. This service is generally open to UK customers. Overseas customers are advised to contact their local distributor.

- ▶ A quotation will be provided on inspection of the return of the tool, itemising service charges and replacement parts required.
- ▶ The service involves the tool being stripped, cleaned and reassembled with the replacement parts quoted to return the tool back to good working order.

Customers are advised to contact Accles & Shelvoke direct on +44(0)121 313 3564 to make arrangements to return the tool for service and repair.

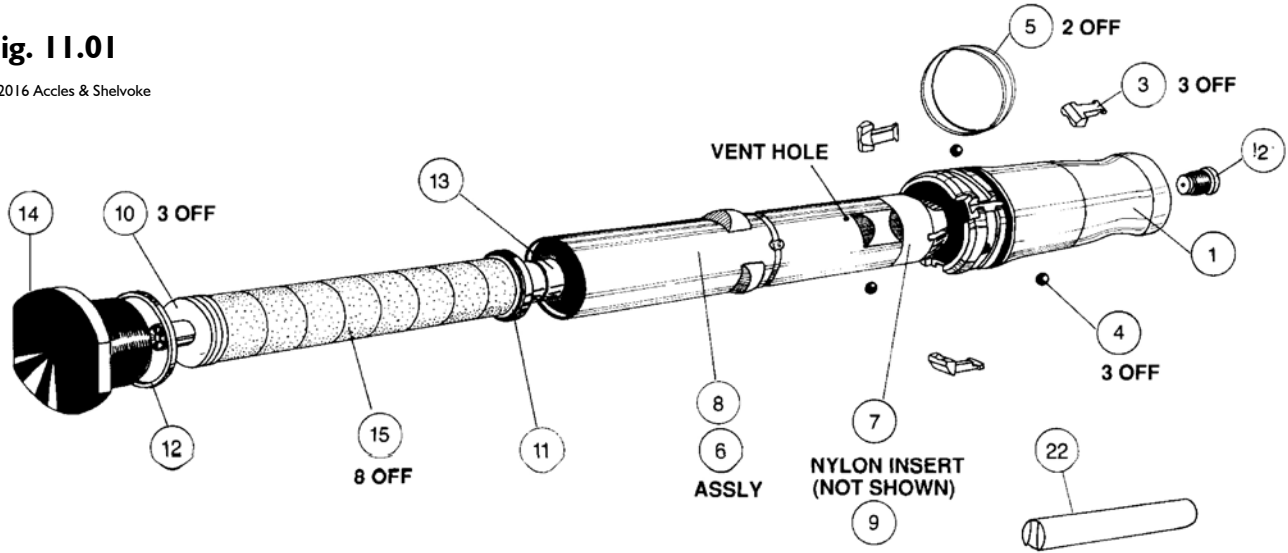
CASH® Cowpuncher SPARE PARTS LIST AND DIAGRAM

ONLY EVER USE GENUINE ACCLES & SHELVOKE REPLACEMENT PARTS. NOT USING GENUINE PARTS MAY LEAD TO PREMATURE COMPONENT AND TOOL FAILURE, WHICH COULD ENDANGER THE OPERATOR AND THOSE IN THE IMMEDIATE VICINITY. IT WILL ALSO INVALIDATE OUR ORIGINAL EQUIPMENT WARRANTY.

ACCLES & SHELVOKE WILL ACCEPT NO LIABILITY IF ANY COMPONENTS OTHER THAN THOSE SUPPLIED BY ACCLES & SHELVOKE ARE USED WITH OUR ORIGINAL EQUIPMENT. THE RESULTANT LIABILITY WILL BE WITH THE END USER OR THE DISTRIBUTOR WHO SUPPLIED THE UNAPPROVED REPLACEMENT PARTS.

Fig. 11.01

©2016 Accles & Shelvoke



SPARE PART ITEM NUMBER	PART DESCRIPTION	QTY PER SET	SPARE PARTS BY PRODUCT CODE						IF ORDERING AN ASSEMBLY FOR SPARES, INCLUDES ITEMS LISTED BELOW
			5413R	5430	5414R	5432R	5414	5432	
1	Cap Assembly	1				5385			2, 3, 4, 5
2	Firing Pin	1				5389			
3	Claw	3				5390			
4	Ball	3				5391			
5	'O' Ring	2				5392			
6	Barrel Assembly	1	5395R			5396R		5396	7, 8, 9
7	Breech	1	5399R			5400R		5400	
8	Barrel	1				5401			
9	Nylon Insert	4				5402			
10	Stop Washer	3				5369			
11	Flange Washer	1				5403			
12	Lock Washer	1				5342			
13	Bolt	1				5405			
14	Muzzle	1				5406			
15	Recuperator Sleeves	8				5376			
16*	Long Handle Cap Assembly	1				5407			17, 18
17	Long Handle Only	1				5348			
18	Dowel	1				4277			
19	Breech Cleaner	1				5411			
20	Undercut Cleaner	1				5357			
21	Muzzle Spanner	1				4291			
22	Extractor Tool	1				5373			

NOTES

* To convert your cowpuncher from a handheld stunner to a long handled stunner, purchase item No.16
ITEMS 9, 16, 17, 18, 19, 20 and 21 NOT SHOWN

CONTACT DETAILS, WARRANTY AND RECYCLING

Contact us today to find out how Accles & Shelvoke can help your current or future stunning requirements.

For customers based in Canada and USA:-

Accles & Shelvoke, 773 Victory Highway, West Greenwich, Rhode Island 02817, USA.

Website: www.accles-shelvoke.com **Email:** info@accles-shelvoke.com

Telephone: (1)-800-396-9497 **Fax:** (1)-401-397-5031

For all other customers:-

Accles & Shelvoke Ltd, Unit 5A, Maybrook Road, Maybrook Business Park,
Minworth, Sutton Coldfield, Birmingham, West Midlands, UK B76 1AL

Website: www.acclesandshelvoke.co.uk **Email:** info@acclesandshelvoke.co.uk

Telephone: +44 (0)121 313 3564 **Fax:** +44 (0)121 313 0282

WARRANTY

The Accles & Shelvoke product warranty policy is available upon request. The product warranty policy, like any other, is conditional.

Your tool has been assembled, tested and proof-stamped as a mark of its performance, quality and safety, and arrives with you in full working order.

Your CASH Cowpuncher tool has been designed and developed over 100 years of experience in the meat processing industry. It has proven to be a very reliable and robust tool if cleaned and maintained in accordance with this instruction manual.

In the event of any problems, please contact your local distributor.

RECYCLING

Once any component or tool has surpassed its useful life, it needs to be disposed of in a responsible manner. Most of the materials from which the Accles & Shelvoke range of stunning tools is manufactured can be recycled.

These materials must be correctly separated before they can be recycled. To do so, disassemble the tool, and sort into the groups highlighted in the table below. Use the spares list and diagram (Section 10) to help with identification.

The disassembled and sorted items may be disposed of at an appropriate recycling facility.

ITEMS / PARTS	MAIN MATERIAL	DISPOSAL
All components itemised in the 'Spare Parts List and Diagram' except those detailed below	Steel	Ferrous Metal Recycling
5, 10,11, 12,15	Rubber	General Waste
Spent Cartridges	Brass	Non-ferrous Metal Recycling
Packaging - Cardboard	Cardboard	Cardboard recycling
Packaging - Plastic	Plastic	Plastics recycling
Other non-specified items	Various	General Waste

Manufacturer name:	Accles & Shelvoke	Machinery covered by this declaration	
Full address:	Unit 5A, Maybrook Road, Maybrook Business Park, Minworth, Sutton Coldfield, Birmingham, West Midlands, UK B76 1AL	Description:	CASH Cowpuncher range of captive bolt stunning tools
		Function:	For the stunning of livestock prior to slaughter or depopulation
		Product Code of stunner supplied with instruction manual	NOTE APPLY MODEL NUMBER & MODEL DESCRIPTION LABEL HERE
Product Description			
Full list of products declared under this Certificate Number:	5413R CASH Cowpuncher .22R 5414 CASH Cowpuncher .25 5414R CASH Cowpuncher .25R 5430 CASH Cowpuncher .22R LH 5432 CASH Cowpuncher .25 LH 5432R CASH Cowpuncher .25R LH	Serial number:	NOTE APPLY SERIAL NUMBER LABEL HERE

The machinery conforms to all the requirements of the Machinery Directive 2006/42/EC

The machinery also conforms to the following Directives and UK Laws:	EU Council Regulation (EC) No 1099/2009 on the protection of animals at the time of killing; The Gun Barrel Proof Act 1978;
---	--

The following standards have been used:	EN ISO 12100:2010
--	-------------------

Notified body who carried out the EC type examination or Full Quality Assurance :	Name:		
	Address:	amtri veritas ltd, veritas house, pierce street, macclesfield sk11 6er	
	Notified body No. :	0463	Certificate No.: AVEC 3847-2

The technical file is compiled in accordance with part A of Annex VII of the Machinery Directive 2006/42/EC

Person authorised to compile the technical file (based in the European Community):	Name:	Steve West - Manufacturing Manager
	Address:	Refer to company address above

The relevant authorised person undertakes to transmit, in response to a reasoned request by the national authorities, relevant information on the machinery. This information will be transmitted by: e-mail

Person authorised to make this declaration:	Name:	Joe Holland
	Position in company:	General Manager
	Signature:	
	Place of declaration:	Unit 5A, Maybrook Road, Maybrook Business Park, Minworth Sutton Coldfield, Birmingham, West Midlands, UK B76 1AL
	Date of declaration:	1 st May 2017